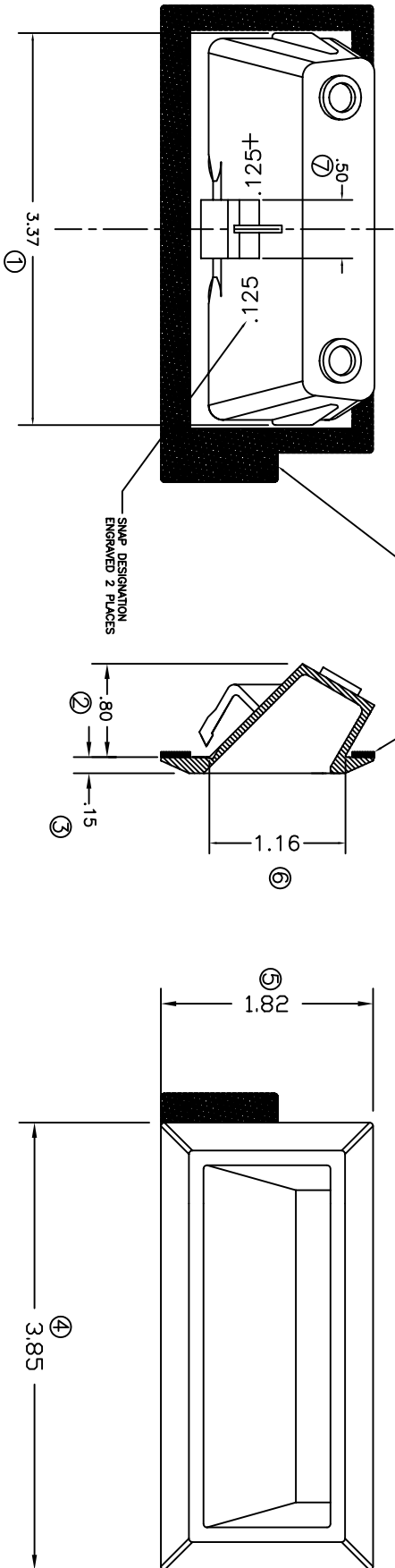


GRAND HAVEN GASKET COMPANY  
P/N PT1100TAPE



RECOMMENDED CUT OUT SIZE: 1.26 X 3.45

GENERAL WALL THICKNESS .06 UNLESS OTHERWISE SPECIFIED

**CONRAD TECHNOLOGIES**

P.O. BOX 308 CONRAD, IA 50621

P/N CT-345-01-125-G  
3" HANDLE WITH 1/8" SNAP AND GASKET

TOLERANCES		COLOR: BLACK	
.XXX	+-.005	DATE: 6/03/08	CRD
.XX	+-.015	DWN:	SCALE:
FRAC.	+ - 1/64	DWG NO: B1030	